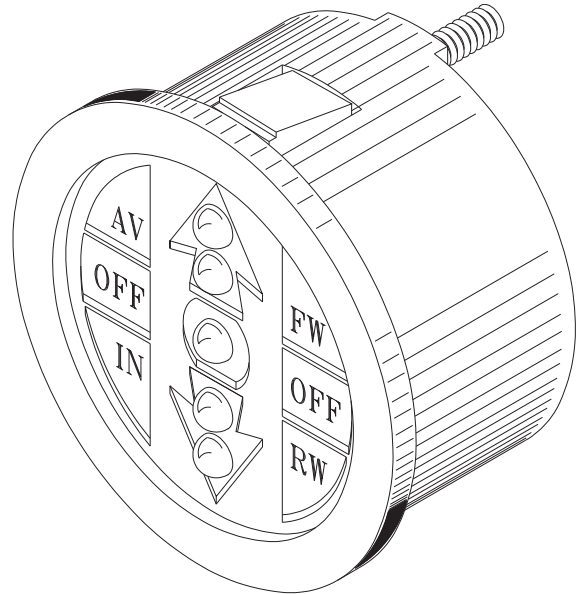




elektrosistem



## DIRECTION INDICATOR MODEL

# IDM-12/80

The new EEC standard concerning handling has created the need for instruments dedicated to the security of users and of those people working with or near handling machines.

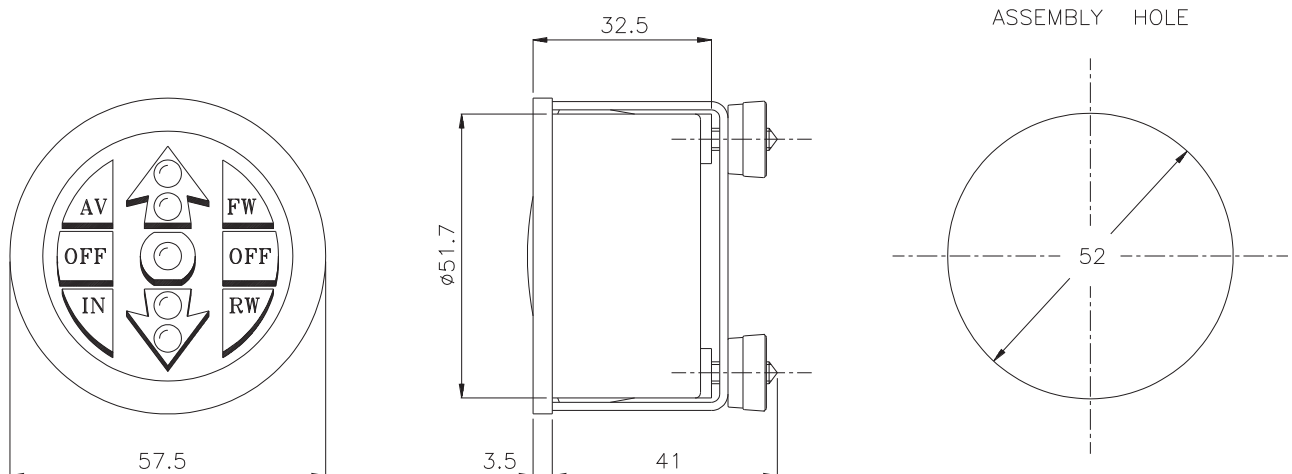
For this reason ELEKTROSISTEM has designed an instrument that allows operators to know the selected direction before pushing the pedal and avoids stupid accidents.

The indicator shows the selected direction (forward or backward) by means of red leds and rest position by means of a green led located at the centre of the instrument.

The multivoltage indicator (12/80 VDC) can be supplied with positive control or negative control.

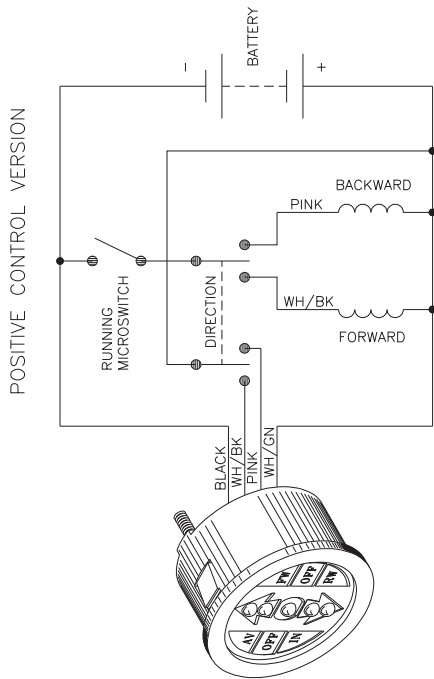
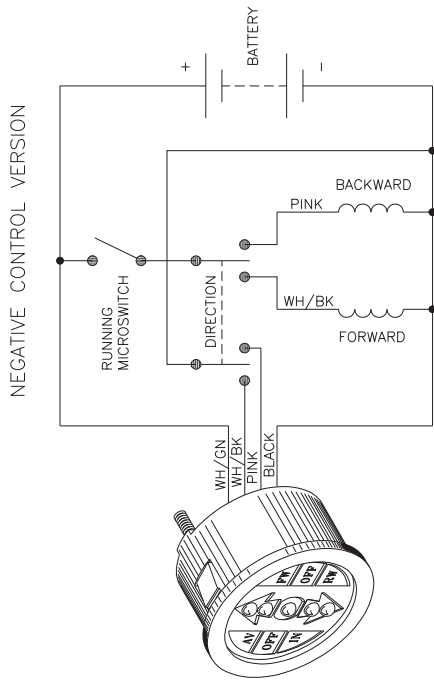
**NOTE:** In case of lift trucks with two pedals, the instrument signals direction only when one of the pedals is pushed.

### DIMENSIONS AND ASSEMBLY HOLE



~~NEWS~~

IDM WIRING DIAGRAM WITH DIRECTION SWITCH



IDM WIRING DIAGRAM FOR FOOT PEDAL WITH TWO PEDALS

